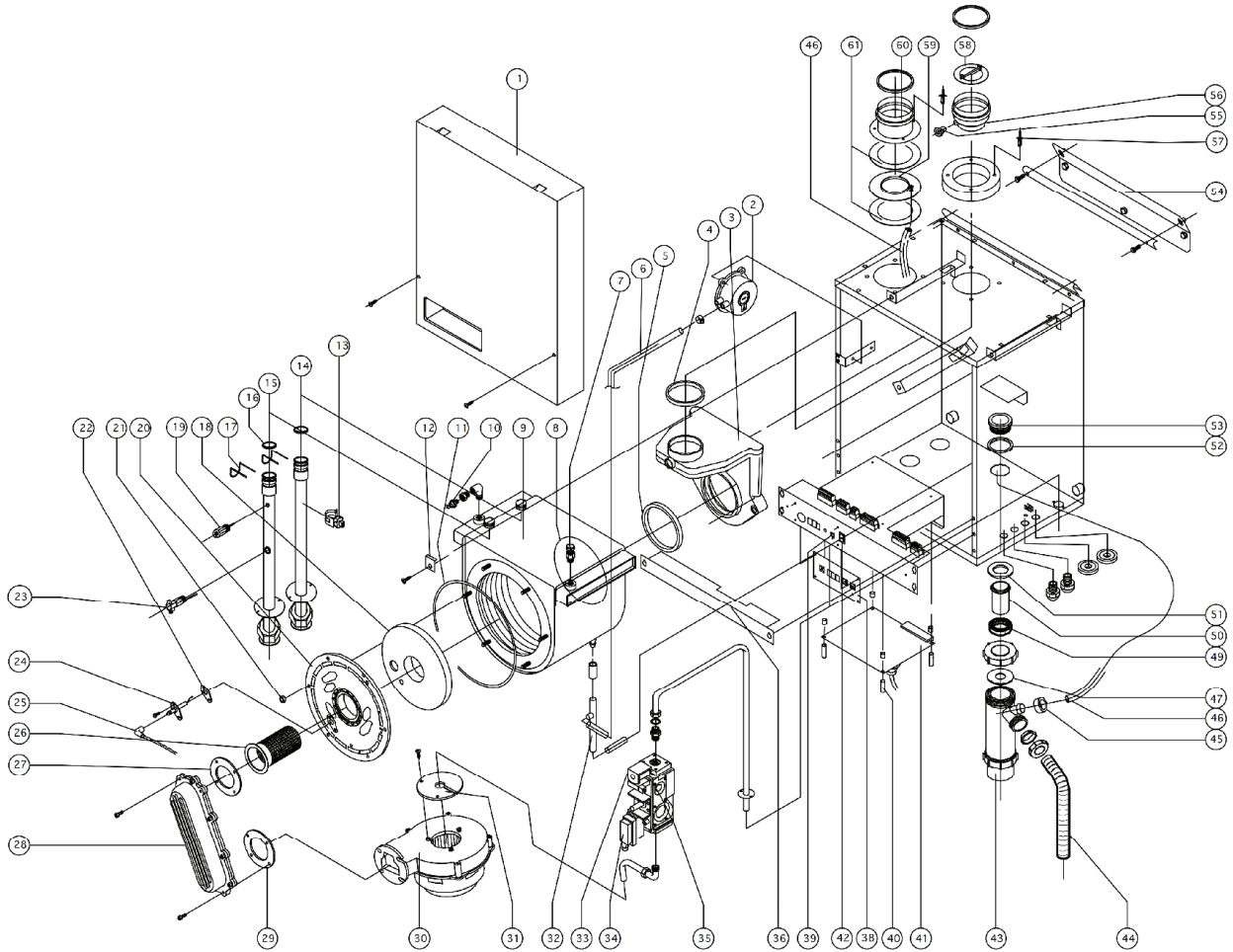


**I. EVO MICRO (HW 79-199.1 & 199.8) PARTS BREAKDOWN**



NUMBER ON DRAWING	PART DESCRIPTION	PART NUMBER
1	Front panel	JKR 74076
2	Pressure Switch	PRS 74326
3	Flue gas collector	MSC 74112
4	Seal ring 60mm	GKT 74022
5	Seal ring flue gas collector-heat exchanger	GKT 74021
6	Hose pressure switch	MSC 74048
7	Hand air vent	MSC 74021
8	Burner room insulation (target wall)	FIB 74098
9	Heat Exchanger	C/F
10a	High limit thermostat 195°F	HLC 74066
10b	High limit thermostat 225°F	HLC 74274
11	Gasket burner door - heat exchanger	GKT 74035
12	Heat Exchanger Clamps	HEX 74037
13	Sensor Clamp 18mm	TST 74395
14	Inlet Tube Assembly	C/F
15	Outlet Tube Assembly	C/F
16	O-Ring Quick Connect	GKT 74027
17	Clip Quick Connect (specify copper or stainless arms)	C/F
18	Insulation burner door	FIB 74093
19	Inlet / Outlet sensors NTC	TST 74287
20	Equipped burner door	BNR 74056

## MAINTENANCE

### I. EVO MICRO (HW 79-199.1 & 199.8) PARTS BREAKDOWN (CONTINUED)

NUMBER ON DRAWING	PART DESCRIPTION	PART NUMBER
21	Nut with flange 6ea. (M6 x 0.1)	MSC 74012
22,24	Electrode Assembly	PLT 74058
23	Flow Switch	C/F
25	Ignition cable with plug	WRE 74064
26	Burner	C/F
27	Gasket burner & gas / air inlet pipe	GKT 74029
28	Gas / air mixing pipe fan to burner	BNR 74018
29	Gasket gas / air inlet pipe & fan	C/F
30	Fan RG 128	C/F
31	Gas / air mixing plate	C/F
32	Condensate Drain Tube (with connection for hose pressure switch)	CDK 74122
33	Coil EV1 gas valve	VAL 74347
34	Coil EV2 gas valve	VAL 74348
35	Gas valve	VAL 74115
36	Coverplate boiler control	C/F
38	Display-unit DU 914 incl. cable	RLY 74061
39	Cover connector	MSC 74062
40	Distance Nut	C/F
41	Boiler control FMT 914	RLY 74062
42	Switch On / Off	SWT 74144
43	Condensate Drain Assembly	CDK 74124
44	Condensate Drain Hose	CDK 74038
45	Rubber Adapter (air inlet condense hose)	MSC 74074
46	Condense Hose	CDK 74001
47	Seal inside trap	CDK 74041
49	Swivel Nut	CDK 74133
50	Connector	CDK 74132
51	Gasket	GKT 74033
52	Gasket	GKT 74037
53	Reducing Ring	MSC 74075
54	Wall Bracket	JKR 74014
55	Rubber Stop	GKT 74092
56	Flue Gas Connection	C/F
57	Spread Nut	MSC 74093
58	Non-Return Damper	VAL 74096
59	Condense Flange w/Nipple	CDK 74017
60	Inlet Air Connection	C/F
61	Condense Flange Gasket	GKT 74079
	Immersion Style 1/2" NPT w/4" stem with well	TST 71010
	Strap-on 2" - 5" pipe	TST 71020
	Outdoor sensor style - weatherproof enclosure	TST 71030
	Sensor Tank 1/8" NPT with 5' lead and 1" probe	TST 76071
	Sensor Tank - 7' lead and 2' x 3/16" probe for well	TST 76110
	Sensor Tank 1/8" NPT with 5' lead and 3" probe	TST 76010
	Circuit Board Cascade Unit	RLY 74300
	Circuit Board Open Therm (Communications)	RLY 74356
	3.15A Fuse	FUS 74315

C/F=Consult Factory

Loop Name	Rooms	Number of loops on Mfd.	Number Of Powerheads	Pump	Mixing Valve	Mix Valve Controller	# of Zone Controls	24v Transformer	Pump No.	Manifold Location
1 Z1	Library (Hunting)	15	8	Grundfos UP26-99F	Yes	1	2	2	1	
1 Z2	Kitchen		7							
2 Z1	Dining Room			Grundfos xxx					2	
2 Z2	Living Room									
3 AZ1	Upstairs Guest Bedroom	13	3	Grundfos UP26-96F	Yes	1	2	2	3	Storage Area
3 AZ2	Master Closet (& Hall?)		4							
3 BZ1	Master Bedroom		5							
4 AZ1	Upstairs Guest Bath	8	1	Grundfos UP26-64F	Yes	1	1	1	4	
4 AZ2	Foyer		5							
4 BZ1	Powder Room		1							
5 Z1	Lower Kitchen			Grundfos UP26-64F					5	
5 Z2	Billiard Room									
6 AZ1	Mech. Room A (Boiler?)	7	1	Grundfos UP26-99F	Yes	1	2	2	6	Bathroom
6 AZ2	Lower Kitchen Bath (Maids?)		1							
6 AZ3	Hallway		3							Storage Room (Lower)
6 BZ1	Powder Room	9	1							Storage Room (Lower)
6 BZ2	3 Guest Bedroom									Storage Room (Lower)
6 BZ3	3 Guest Bath		1							Storage Room (Lower)
6 BZ4	Mech. Room B		1							Storage Room (Lower)
6 BZ5	2 Guest Bath		1							Storage Room (Lower)
6 BZ6	Cedar Closet		1							Storage Room (Lower)
6 BZ7	?Bar									Storage Room (Lower)
6 BZ8	4 Guest Bedroom									
7 Z1	Lower Sunroom			Grundfos UP26-99F					7	
8	Spa Heat on HX (Not Used)									
			44			4	7	7	Totals	
<b>Misc Equipment</b>										
						1 (In Control panel)			Stadler HX	
									Storage Tank	
				Laing Recirc Pump						

Replacement Parts	Part Number
Viega Powerhead	18028
Viega Zone Control	18060 (4 zone) 18062 (6 zone)
Stadler Replacement Valve	13625
Viega Basic Heating Control	16015