

| PIPING SYMBOLS LEGEND | | | |
|-----------------------|--|---------------------|--|
| MIXING VALVE | | EXPANSION TANK | |
| DIVERTING VALVE | | BY-PASS VALVE | |
| PRESSURE REDUCE VALVE | | DRAIN VALVE | |
| PUMP | | THERMOMETER | |
| CHECK VALVE | | GAUGE | |
| UNIONS | | BALL VALVE | |
| CIRCUIT SETTER | | AIR SEPARATOR | |
| ZONE VALVE | | BACK FLOW PREVENTER | |
| FLOWGARD VALVE | | AIR VENT | |

NOTES:
 * MAX PIPE SPACING TO BE 12 INCHES OR 4 PIPE DIAMETERS APART OR WHICH EVER IS LESS.

-E- BUILDING 5 CHILLER PIPING PLAN

SCALE: NONE

LIABILITY
 This drawing and our recommendations and suggestions, are intended to assist our customers. Our design represents our best judgment based on our experience and the best facts provided to us, any use thereof is at the sole risk of the customer. It is assumed that the customer will install the THAW-PAK system in compliance with all local, state and national codes.

CONSULTANTS:
BELMONT MGT.
 OHIO

PROJECT NAME:
CAMBRIDGE WOODS APTS.
 3365 AIRPORT HIGHWAY
 TOLEDO OHIO

THAW-PAK DISTRIBUTOR:
PERFORMANCE
 engineering group

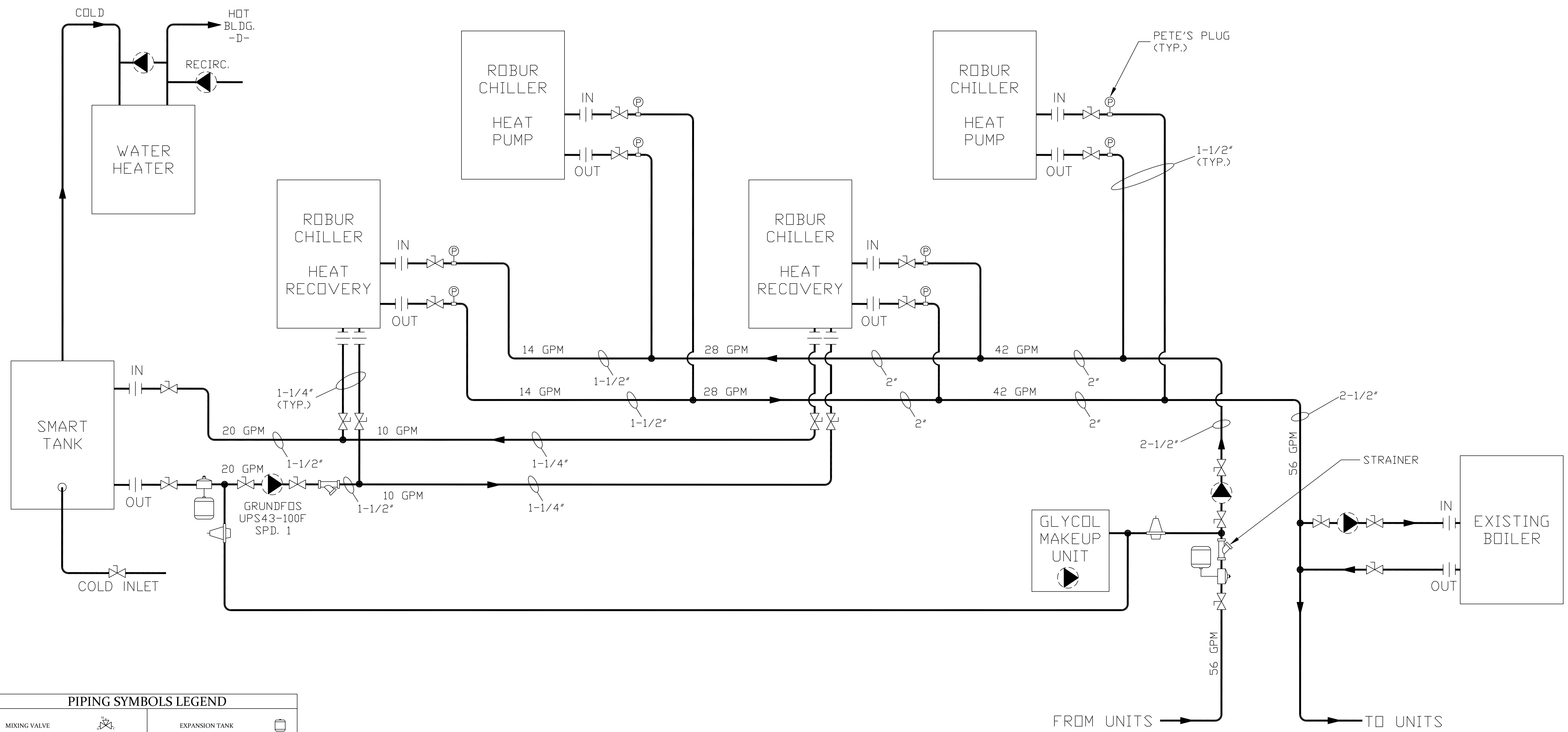
DRAWN BY:
 Gordon Faustich
 REVIEWED BY:
 AD
 APPROVED BY:
 AD
 ISSUED FOR

| | |
|----------|--------------------------------------|
| 02/01/13 | APPROVAL |
| 04/03/13 | ISSUED HISTORICAL EQUIPMENT |
| 04/29/13 | UPDATED SHEET FOR |
| 04/30/13 | ISSUED HISTORICAL GLYCOL MAKEUP |
| 06/03/13 | ASST. JOB NO. AND REVISION SHEETS |
| 06/13/13 | ADDED HEAT RECOVERY CONTROLS |
| 07/29/13 | LABELLED GROUNDWORK PUMP ON SHEET P2 |

PROPERTY OF THAW-PAK
 This drawing is the property of THAW-PAK. It has been prepared to assist in the installation of our system. Customer agrees to keep confidential and not disclose this drawing or copies thereof without our written consent.

DRAWING NO.
 13-009P_G

SHEET NO.
P1



| PIPING SYMBOLS LEGEND | |
|-----------------------|---------------------|
| MIXING VALVE | EXPANSION TANK |
| DIVERTING VALVE | BY-PASS VALVE |
| PRESSURE REDUCE VALVE | DRAIN VALVE |
| PUMP | THERMOMETER |
| CHECK VALVE | GAUGE |
| UNIONS | BALL VALVE |
| CIRCUIT SETTER | AIR SEPARATOR |
| ZONE VALVE | BACK FLOW PREVENTER |
| FLOWGARD VALVE | AIR VENT |

NOTES:
 * MAX PIPE SPACING TO BE 12 INCHES OR 4 PIPE DIAMETERS APART OR WHICH EVER IS LESS.

-D- BUILDING 4 CHILLER PIPING PLAN

SCALE: NONE

LIABILITY
 This drawing and our recommendations and suggestions, are intended to assist our customers. Our design represents our best judgment based on our experience and the best facts provided to us, any use thereof is at the sole risk of the customer. It is assumed that the customer will install the THAW-PAK system in compliance with all local, state and national codes.

CONSULTANTS:
BELMONT MGT.
 OHIO

PROJECT NAME:
CAMBRIDGE WOODS APTS.
 3365 AIRPORT HIGHWAY
 TOLEDO OHIO

THAW-PAK DISTRIBUTOR:
PERFORMANCE engineering group

DRAWN BY:
 Gordon Faustich

REVIEWED BY:
 AD

APPROVED BY:
 AD

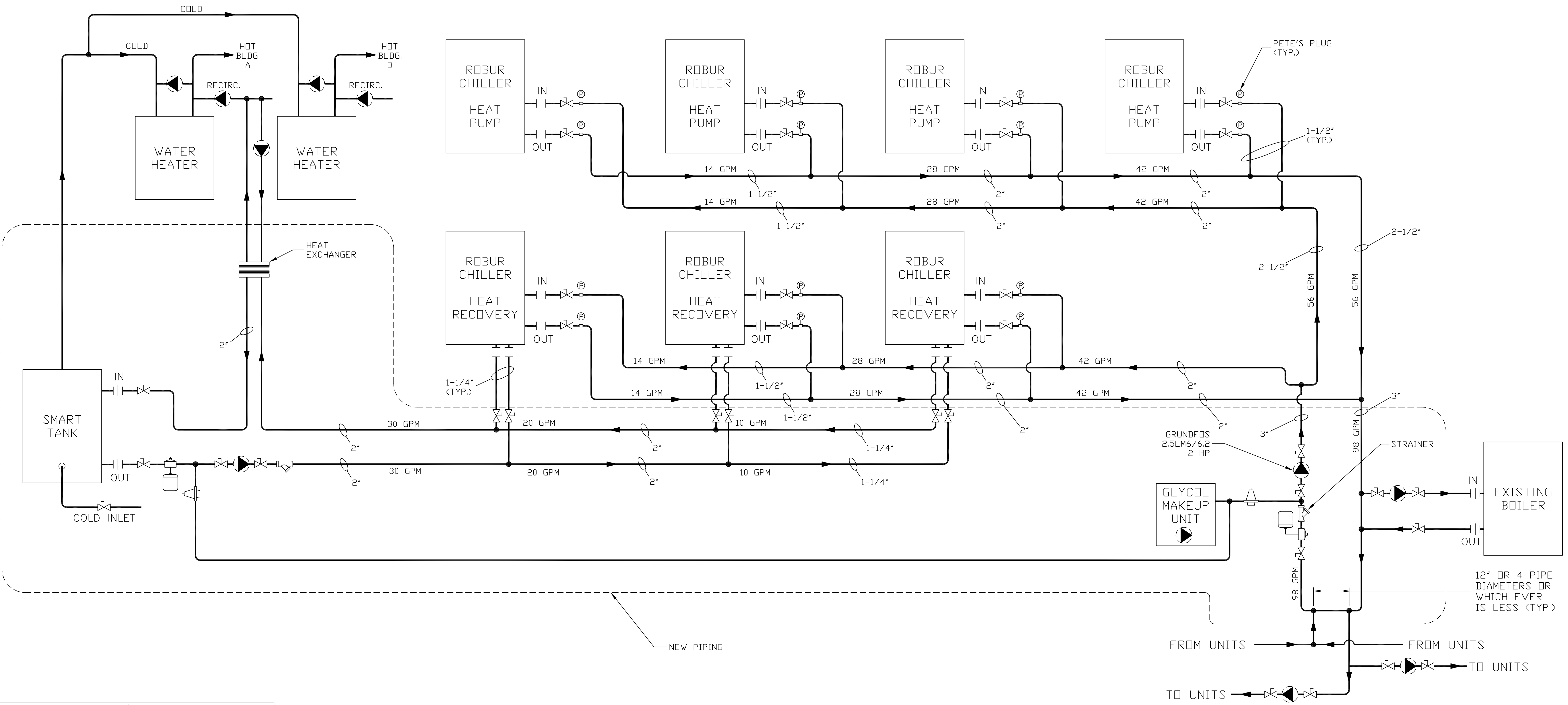
ISSUED FOR

| | |
|----------|----------------------------------|
| 02/01/13 | APPROVAL |
| 04/03/13 | ISSUED FOR INITIAL EQUIPMENT |
| 04/29/13 | ISSUED FOR INITIAL GLYCOL MAKEUP |
| 04/30/13 | ISSUED FOR INITIAL GLYCOL MAKEUP |
| 06/03/13 | ISSUED FOR INITIAL GLYCOL MAKEUP |
| 06/13/13 | ISSUED FOR INITIAL GLYCOL MAKEUP |
| 07/29/13 | ISSUED FOR INITIAL GLYCOL MAKEUP |

PROPERTY OF THAW-PAK
 This drawing is the property of THAW-PAK. It has been prepared to assist in the installation of our system. Customer agrees to keep confidential and not disclose this drawing or copies thereof without our written consent.

DRAWING NO.
13-009P_G

SHEET NO.
P2



PIPING SYMBOLS LEGEND

| | | | |
|-----------------------|--|---------------------|--|
| MIXING VALVE | | EXPANSION TANK | |
| DIVERTING VALVE | | BY-PASS VALVE | |
| PRESSURE REDUCE VALVE | | DRAIN VALVE | |
| PUMP | | THERMOMETER | |
| CHECK VALVE | | GAUGE | |
| UNIONS | | BALL VALVE | |
| CIRCUIT SETTER | | AIR SEPARATOR | |
| ZONE VALVE | | BACK FLOW PREVENTER | |
| FLOWGARD VALVE | | AIR VENT | |

NOTES:
* MAX PIPE SPACING TO BE 12 INCHES OR 4 PIPE DIAMETERS APART OR WHICH EVER IS LESS.

A & B BUILDING 7 CHILLER PIPING PLAN W / HEAT EXCHANGER

SCALE: NONE

LIABILITY
This drawing and our recommendations and suggestions, are intended to assist our customers. Our design represents our best judgment based on our experience and the best facts provided to us, any use thereof is at the sole risk of the customer. It is assumed that the customer will install the THAW-PAK system in compliance with all local, state and national codes.